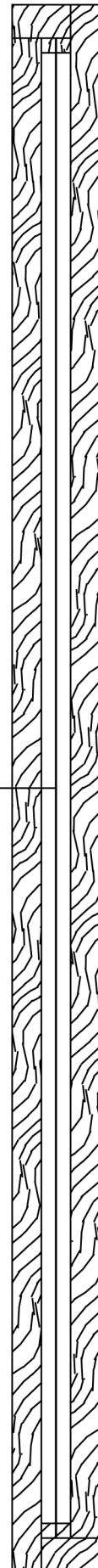
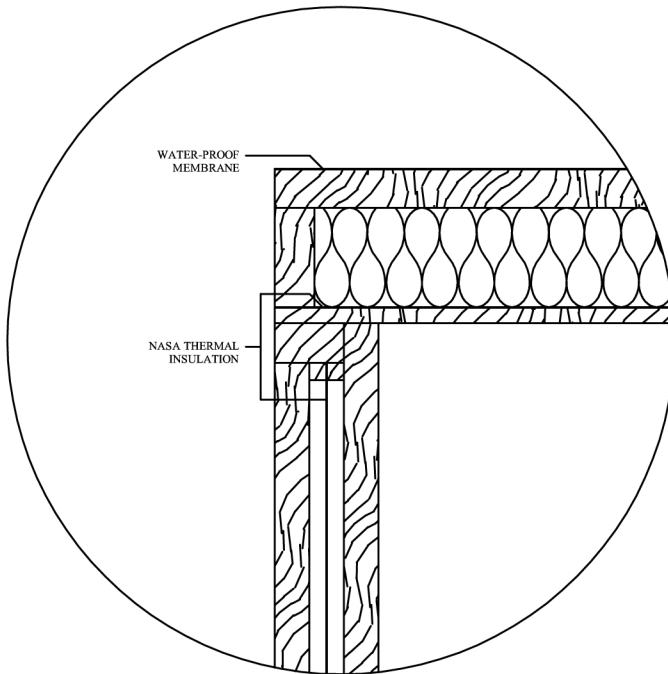


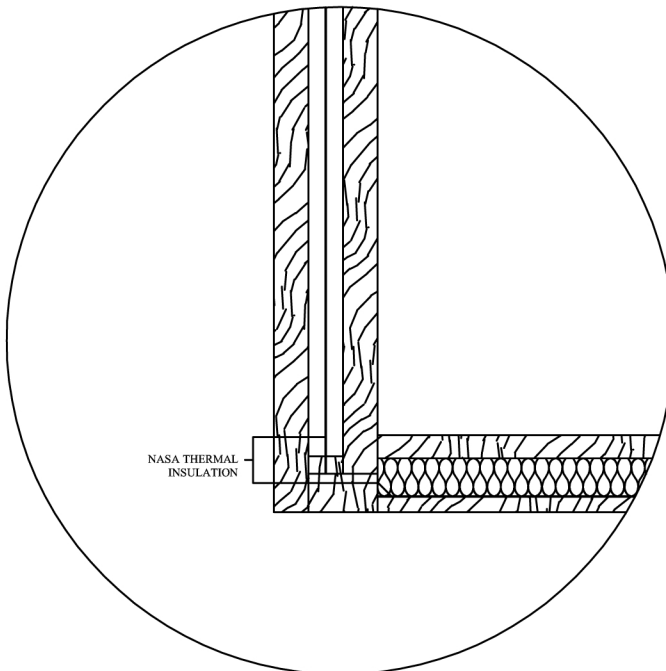
WALL SECTION
DETAIL



ROOF-WALL SECTION
DETAIL



WALL-FLOOR SECTION
DETAIL



NASA THERMAL
INSULATION

SCALE 1:200
SECTIONAL DETAIL
CAD DRAFTING BY STUDIO FARJA
ARCHITECTURAL DESIGN BY GÖSTA SUNDBERG
24.11.11